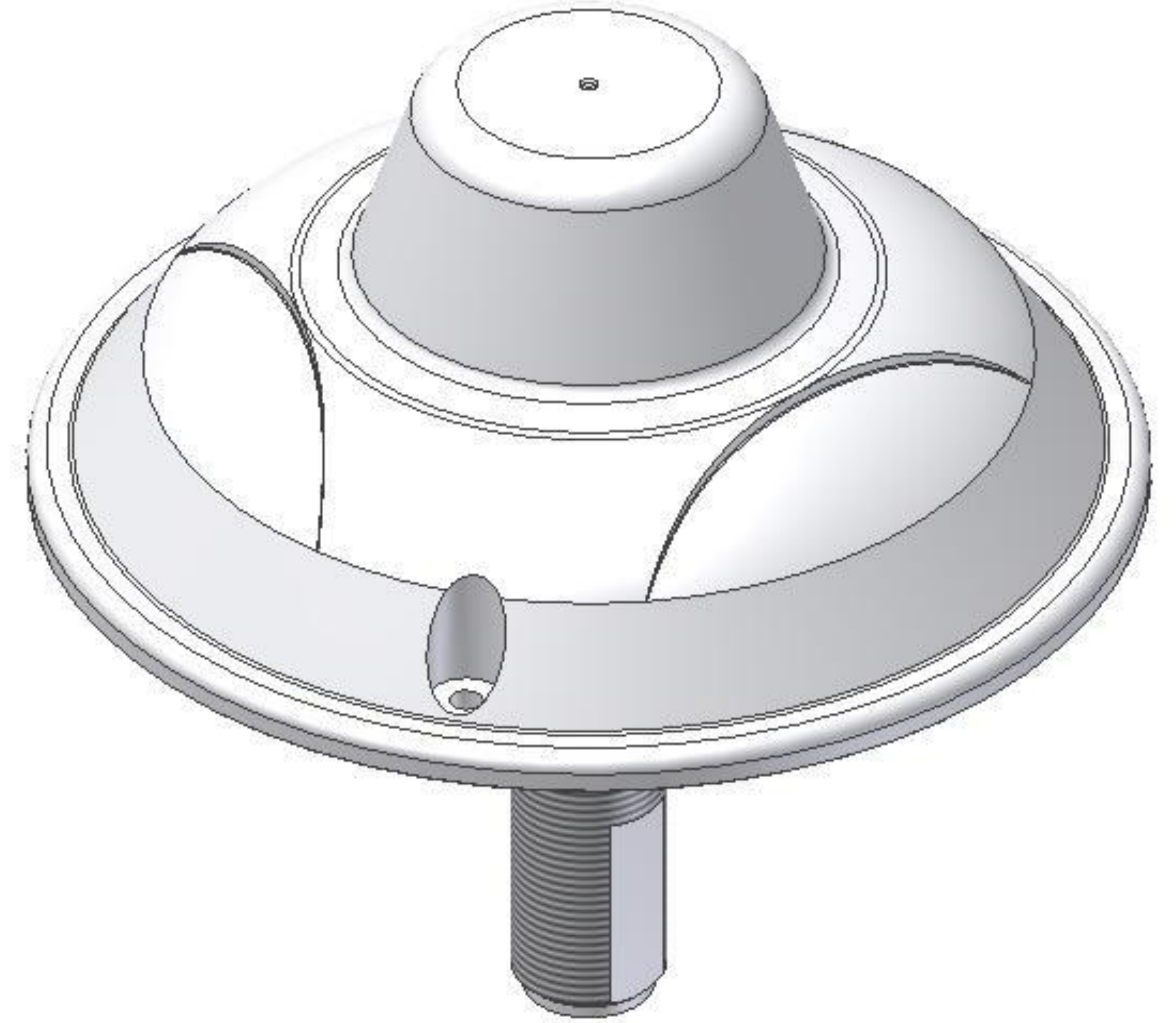


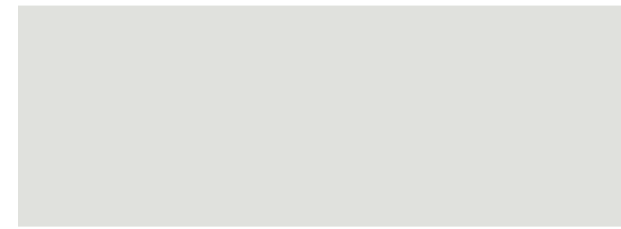
PCS & IMT & WIBRO Omni Antenna

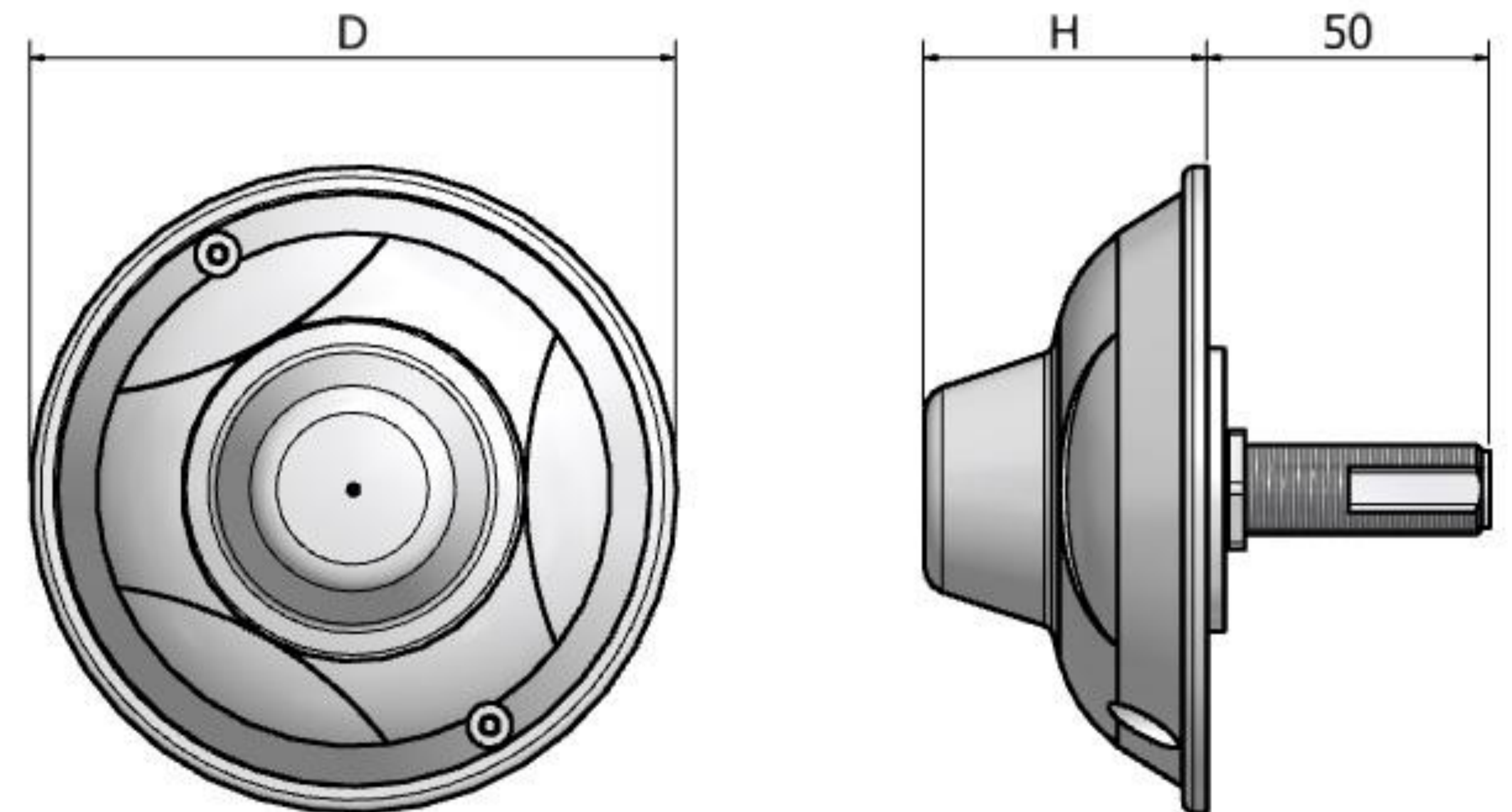
1750 ~ 2390 MHz / 2 dBi

PIW-NDT-02

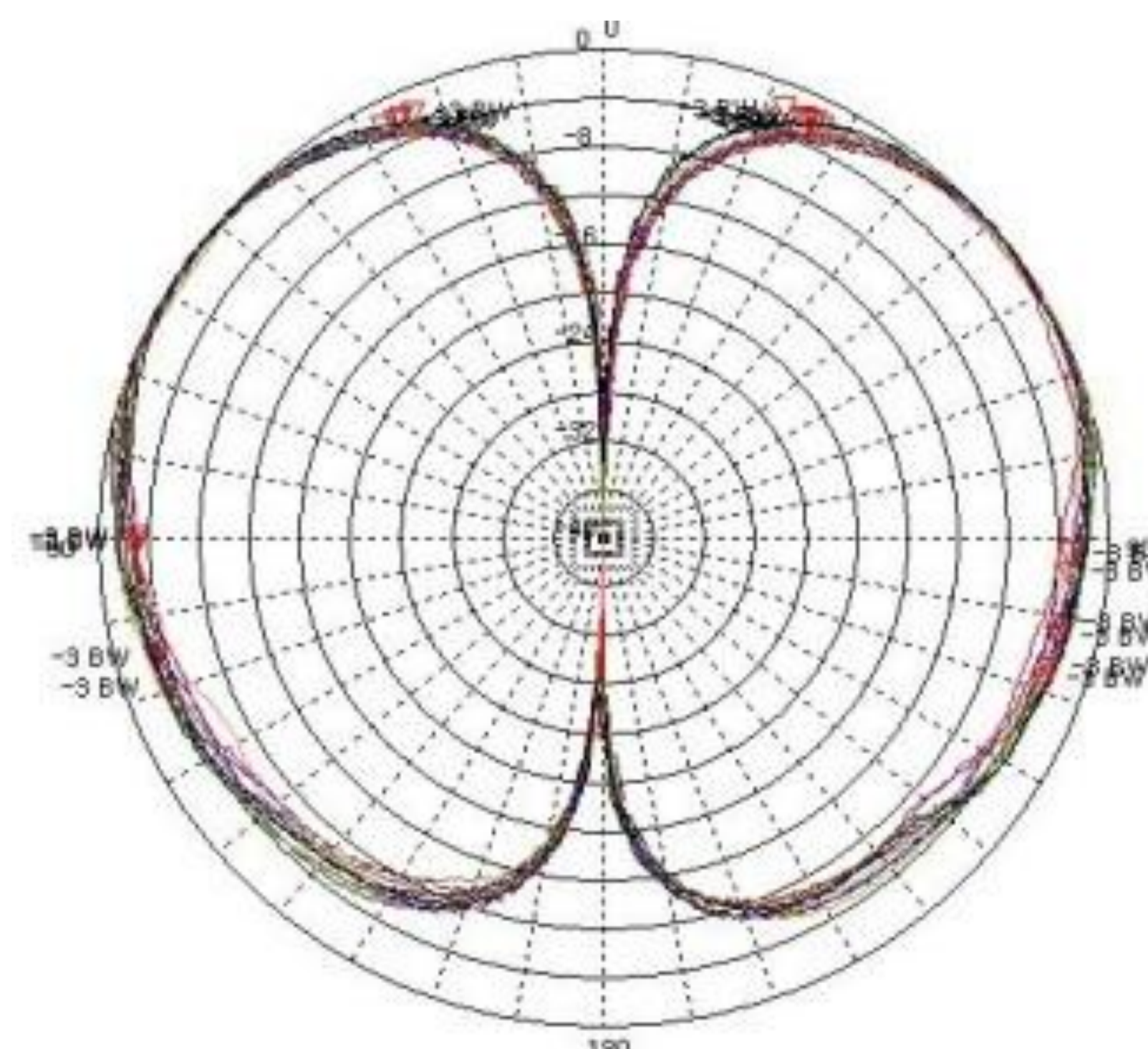
i. Electrical Specification		
Frequency Range	1750 ~ 2390 MHz	
Polarization	Vertical	
Band Width	640 MHz	
Gain	≥ 2 dBi	
Beam width	Horizontal	≥ Nominal 360 °
	Vertical	≥ Nominal 60 °
F-B ratio	-	
VSWR	≤ 1 : 1.4	
Impedance	50 Ω	
IMD (2x20W)	≤ -140dBc at 3rd	
Maximum input power	50 W	



ii. Mechanical Specification	
Radom Dimension (D x H)	Ø114 × 50 mm
Weight	≤ 200 g
Connector Type	N-J (Female)
Withstand Wind Pressure	60 m/sec
Radome Material	ABS
Radome Color	 Cool Gray 1C
Temperature	-40 °C ~ 70 °C
Packing Size (H x W x D) 50SET	-
Packing Weight 50SET	-



iii. Radiation Pattern



Vertical Pattern